



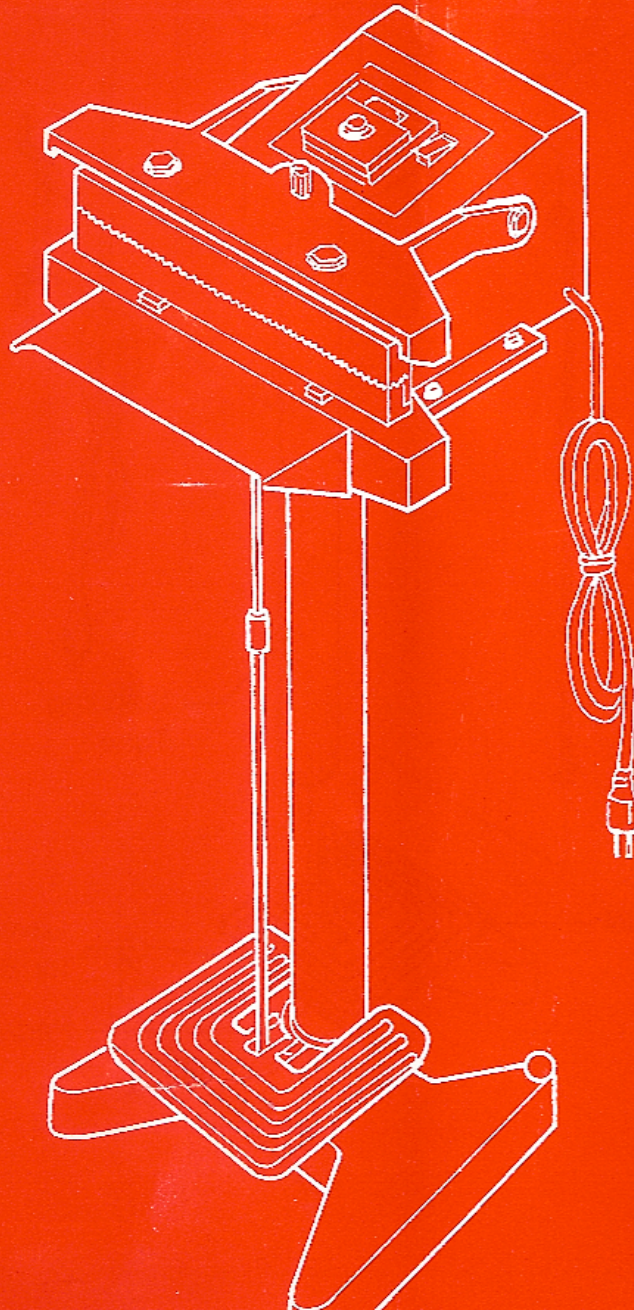
FOOT TYPE-FOR POLY BAGS

# DIRECT HEAT SEALER

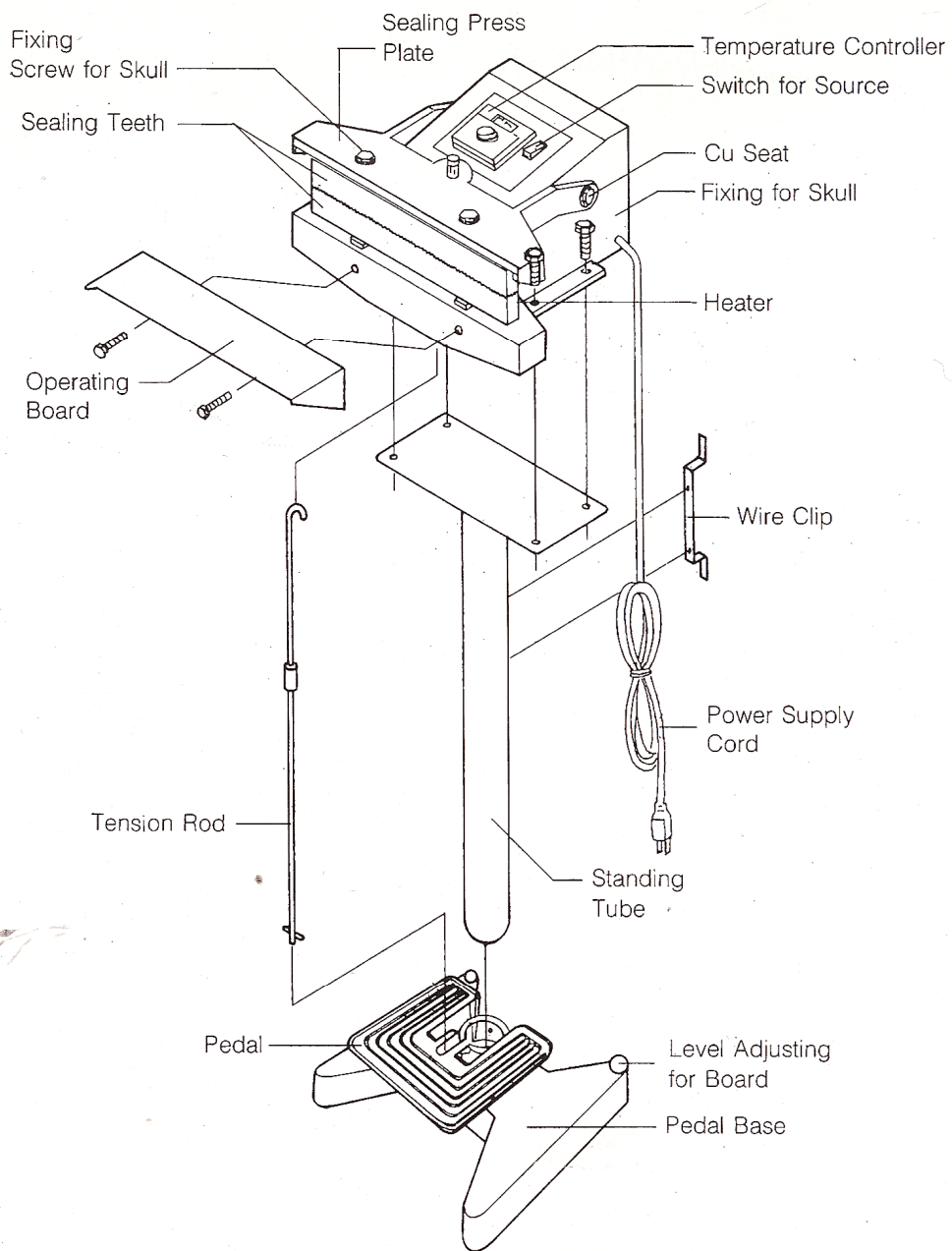
THS-200, 300, 400

OPERATING INSTRUCTION

Thank you very much for your purchase of TEW DIRECT HEAT SEALER.  
This product was designed for convenience and performance, please read  
the following information before use.



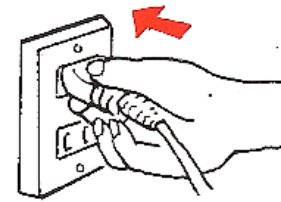
# 1 PARTS DIAGRAM



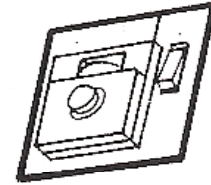
# 2

# OPERATING INSTRUCTION

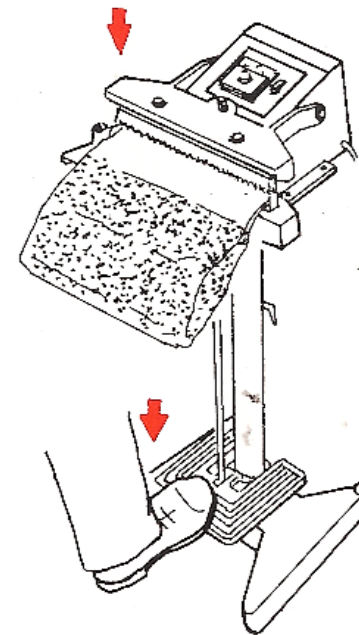
- 1 Plug the cable into an electrical supply socket.



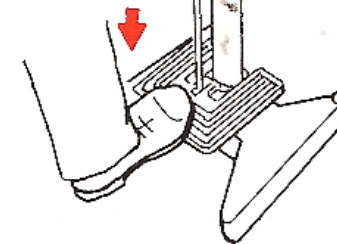
- 2 Set source main switch to ON position.



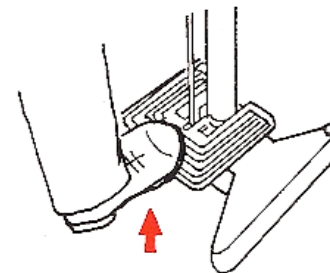
- 3 Setting the sealing temperature subject to the sealing material, start the sealing once the temperature indicating lamp goes OFF.



- 4 When press the pedal, stay still about 1-2 seconds.



- 5 Release from the pedal, it will be sealed.



### 3 SPECIFICATIONS

Model	THS-200	THS-300	THS-400
Power	250W	350W	420W
Max. Seal Length	200mm	300mm	400mm
Weight	22Kg	23Kg	24Kg
Dimensions	37cm x 33cm x 90cm		46cm x 33cm x 90cm

### 4 ELECTRIC DIAGRAM

